

PRODUCT FES15 SERIES
ELECTRIC STRIKE – RIM MOUNTED (SURFACE)



PRODUCT DESCRIPTION

The patented RIM-Mounted, FES15 Series Electric Door Strikes are designed for pedestrian gate application or any other light commercial/residential application where a RIM Mounted strike is required. They accept voltages of either 12 or 24VDC, are fire tested up to a 2 hour fire resistance rating to both Australian and British Fire Test Standards.

The strike are easily site-interchangeable Power To Lock (PTL) or Power To Release (PTR) by simply changing over the Barbell mechanism. The device comes with a 5 year warranty and has a holding strength of up to 1250kg. The FES15M version comes with Door Status Sensor (door latch monitoring) and the non-monitored FES15 version is weather resistant IP56 rated.

FES15 SERIES

TECHNICAL DETAILS

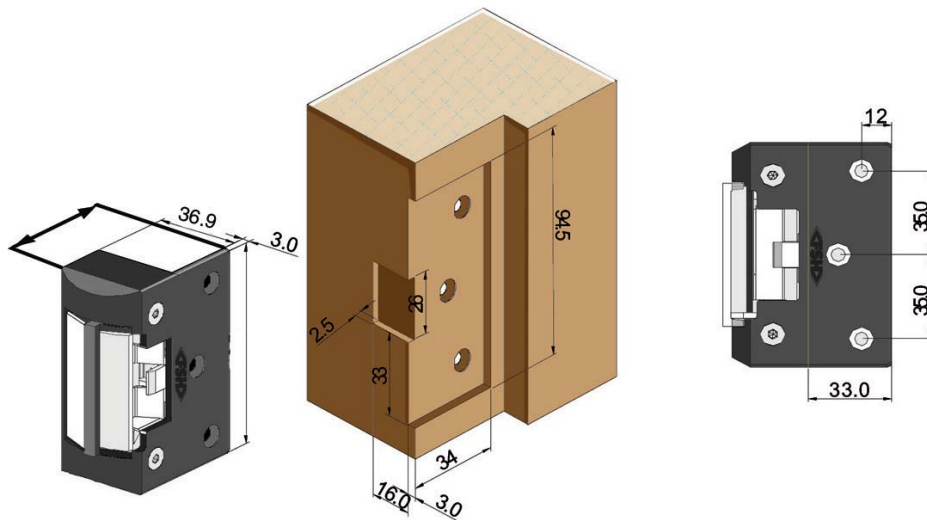
PART NO.	FES15M	FES15
FUNCTION	Surface mount electric strike for rim latch control	
HOLDING STRENGTH	Over 1252kg	
VOLTAGE/CURRENT	Dual voltage 12VDC/200mA 24VDC/100mA	
APPROVALS	2 hour fire rating	
MONITORING	Door latch monitoring Anti Tamper monitoring	Non monitored
IP RATING	N/A	Weather resistant IP56

PRODUCT FEATURES

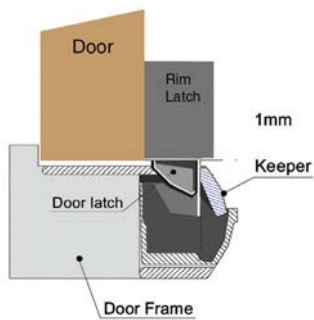
- Barbell mechanism for easy change of locking function
- Low power consumption
- Weather resistant IP56 (FES15 non monitored only)
- Superior holding strength of up to 1250kg
- 5 year warranty
- 12 or 24VDC operation
- Surface mount for RIM-Locks

PRODUCT DIMENSIONS AND INSTALLATION

Timber Door Frame Cut Out



Mechanical Door Lock Configuration



ORDER DETAILS

PART NO.	PRODUCT DESCRIPTION
FES15M	Electric Strike RIM-Mounted
FES15	Electric Strike RIM-Mounted weather resistant IP56