

## PRODUCT FEA20M & FHC20M SERIES

FSH RETROLINE ELECTRIC STRIKE REPLACEMENTS FOR HARCOR AND PADDE EA



FEA20M & FHC20M SERIES

### PRODUCT DESCRIPTION

The RetroLine Series Strikes are designed to replace the redundant PADDE EA and HARCOR Electric Strikes. The strikes are modified versions of the FSH FES20M product. A small modification on the door frame has to be made to replace existing PADDE EA or HARCOR strikes.

The RetroLine FEA20M and FHC20M high security electric door strikes have Door Status and Lock Status monitoring (DSS & LSS), are manufactured from stainless steel and have the advantage of accepting D.C. voltages from 12 to 36Volts.

### TECHNICAL DETAILS

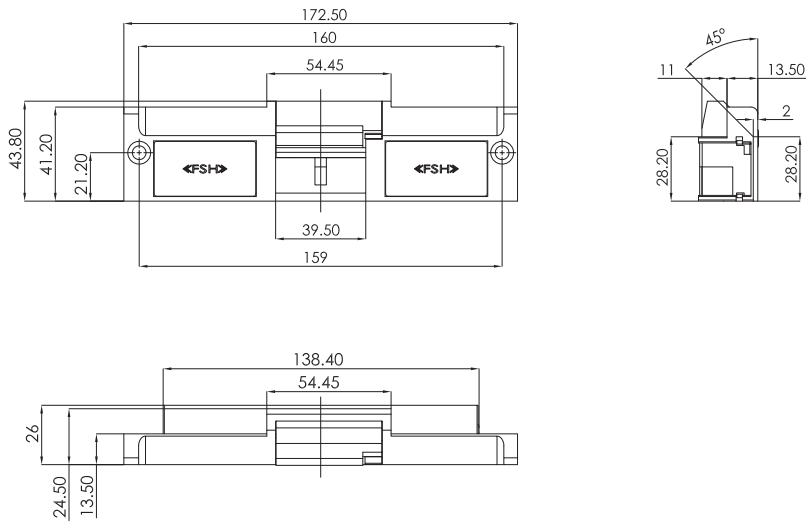
PART NO.	FEA20M	FHC20M
FUNCTION	Morise mount, Power To Lock/Power To Release site interchangeable. Input Voltage: 12-36VDC	
HOLDING STRENGTH	Up to 1490kg	
VOLTAGE/CURRENT	12VDC=220mA 24VDC=120mA 36VDC=80mA	
APPROVALS	Up to 4h fire rated to AS/BS Standards	
MONITORING	Fully monitored, Door latch monitoring (DSS), Lock Status monitoring (LSS)	

### PRODUCT FEATURES

- 5 year warranty
- Simple Power To Lock/Power To Release interchange
- No loose pins and springs
- CE/C-Tick
- Superior holding strength

## PRODUCT DIMENSIONS AND INSTALLATION

FEA20M



FHC20M

