



FES15 Series

EELECTRIC STRIKE - RIM MOUNTED



The RIM-Mounted, FES15 Series electric door strikes are designed for residential or light commercial applications where a rim mounted strike is required, such as pedestrian gates.

The FES15 Series accept either 12 or 24VDC and are fire tested up to a 4-hour fire rating under British and Australian Fire Test Standards (contact Allegion for more details).

The strikes are easily Power To Lock (PTL) / Power To Open (PTO) field selectable by simply changing over the barbell mechanism. The device comes with a 5 year warranty and has a holding strength of up to 1200kg.

The FES15M version has Door Status Sensor Monitoring.



Features

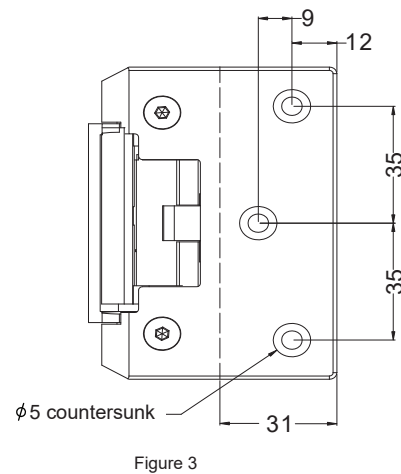
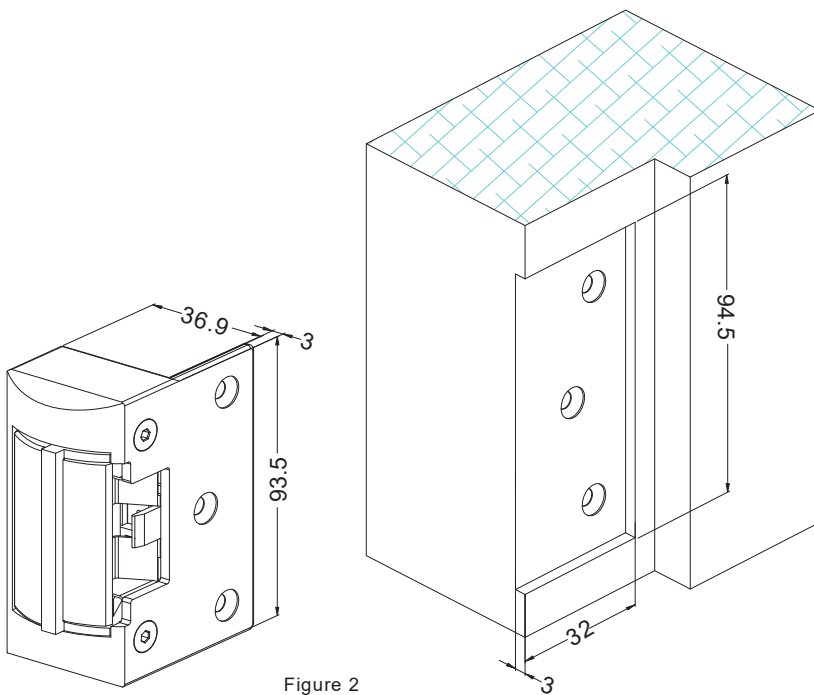
- Barbell mechanism for easy change of locking function
- Low power consumption
- 5 year warranty
- Superior holding strength of up to 1250kg
- 12 or 24VDC operation
- Surface mount for RIM-locks

Warranties	
Mechanical	5 years
Electronic	5 years

Technical specifications

Part No.	FES15M	FES15
Function	Surface mount electric strike for rim latch control Power To Lock (PTL) / Power To Open (PTO) field selectable	
Holding strength	Up to 1250kg	
Volatage / Current	Dual voltage 12VDC/24VDC. 200mA @ 12VDC. 100mA @ 24VDC	
Approvals	Up to 4-hour fire rating (contact Allegion for more details) CE/UL	
Monitoring	Door status monitoring	Non-monitored
Dimensions	125mm (L) x 42mm (W) x 35mm (D)	

Mounting details



Testing and Compliance



Fire:
Tested to 2 hours on fire door assemblies as specified in AS/
NZ 1905.1 – 1997 Part 1 Fire Resistant Doorsets