

PRODUCT R40 SERIES
STANDARD MAGNETIC DOOR HOLDER FIRE RATED



R40

PRODUCT DESCRIPTION

Fire and smoke door, magnetic holder, titanium alloy surface finished, elegant appearance. Installed on fire and smoke doors in projects where doors are required to be held in the open position for both pedestrian and general traffic, the devices have to be linked into a buildings fire/smoke alarm system.

When an alarm occurs, power is removed from the devices and the doors are returned to the closed condition, preventing the spread of fire and/or smoke to other areas. The devices are fire tested to a rating of 4 hours and are supplied either 12 or 24VDC.

TECHNICAL DETAILS

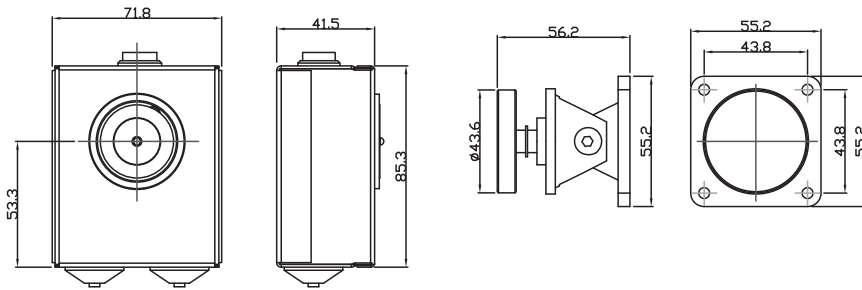
PART NO.	R40-12(12Volt)	R40-24(24Volt)	R40PCV12(12Volt)	R40PCV24(24Volt)
FUNCTION	Wall mount electro magnetic door holder for fire and smoke doors		Floor mount electro magnetic door holder for fire and smoke door	
HOLDING STRENGTH	Up to 25kg		Up to 25kg	
VOLTAGE/CURRENT	12VDC/160mA 24VDC/80mA		12VDC/160mA 24VDC/80mA	
SIZE	D= 41.5 x W= 71.8 x H= 85.3		D= 62 x W= 59 x H= 88mm	

PRODUCT FEATURES

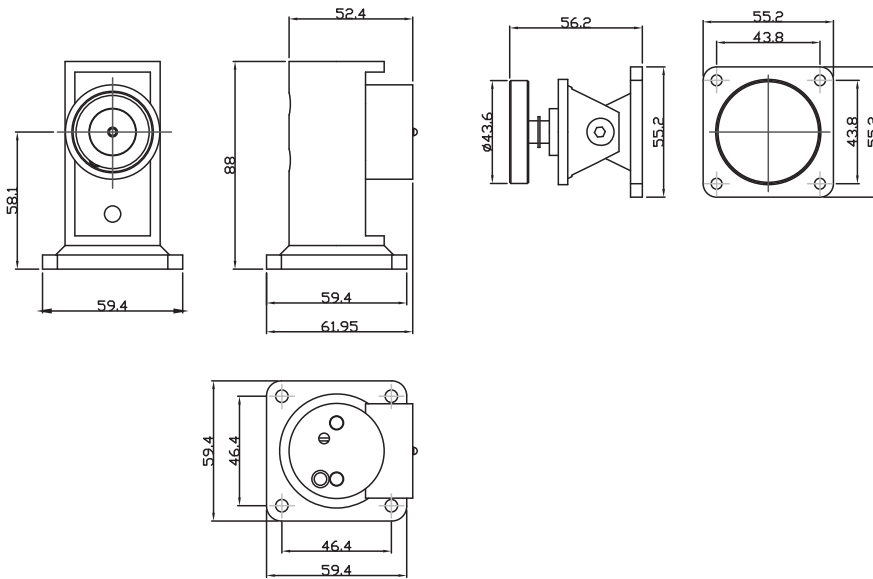
- Fire rated
- Up to 25kg holding force
- 12 and 24VDC options
- Floor mount and wall mount options
- Fail safe operation
- 2 year warranty

PRODUCT DIMENSIONS AND INSTALLATION

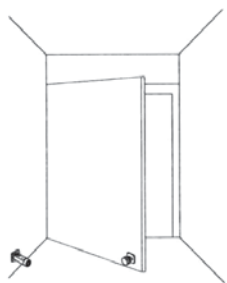
FLOOR MOUNT R40PCV-12/24



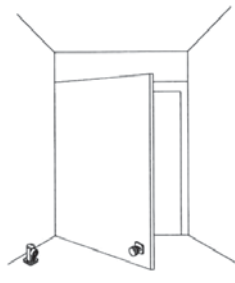
FLOOR MOUNT R40PCV-12/24



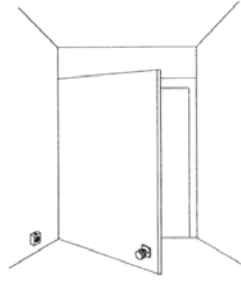
TYPE OF INSTALLATION



Extension Wall Mounting



Floor Mounting



Wall Mounting