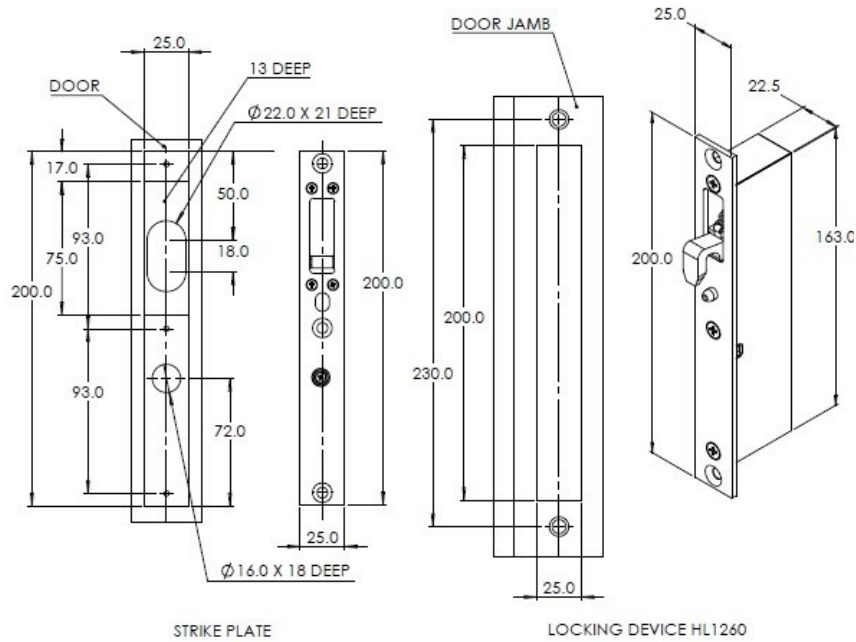
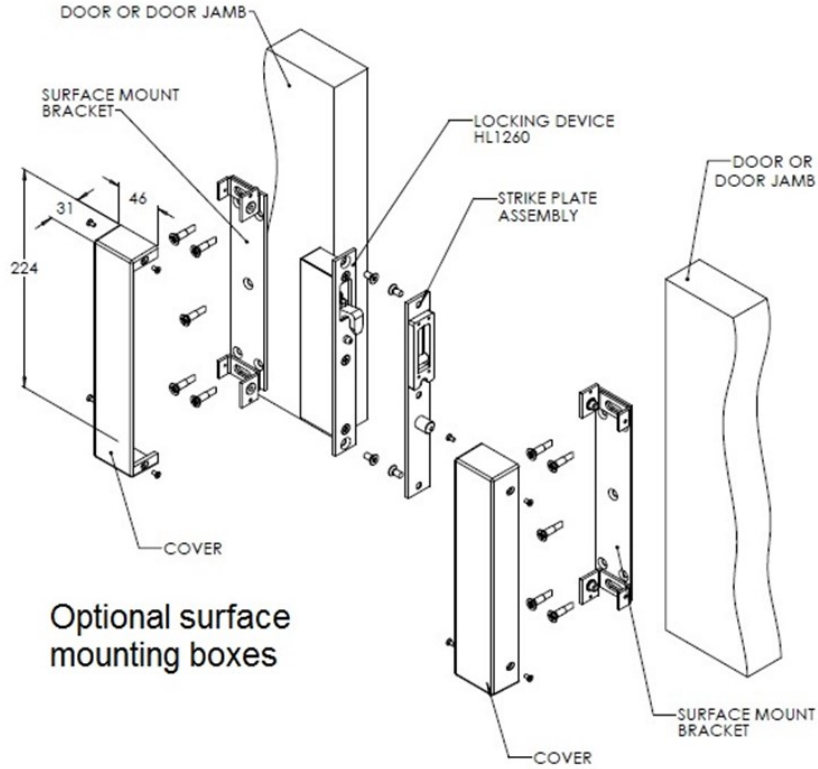


9. PRODUCT CUT-OUT AND DIMENSIONS



Locking Device HL1260 with optional HL1260-GL boxes (2)



Optional surface mounting boxes