



FEM2700WM

Weather Resistant Monitored Electromagnetic Lock



The FSH FEM2700WM weather resistant electromagnetic locks have a holding strength tested up to 290kg and come with a 5 year mechanical and electronic warranty so you have the peace-of-mind that entrances are secured to protect people and property.

Tested to Australian and New Zealand standards, these maglocks are Dual Voltage, 12/24VDC with Lock Status Sensor (LSS). The maglocks have no residual magnetism, which extends the life of the lock and door and gives a better user experience.

The maglocks can be activated by credential readers such as PIN pads, fob readers or other access control platforms.

The FEM2700WM is IP68 rated and designed for external applications exposed to wind and weather.

Features

- Dual Voltage: 12/24VDC
- IP68 rated
- Holding Strength tested up to 290kg
- Stainless steel housing
- No residual magnetism
- Lock Status Sensor reed switch
- 1m connection cable

Warranties

Mechanical	5 years
Electronic	5 years

Technical specifications

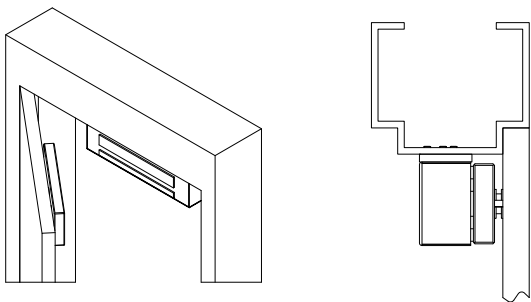
Model	FEM2700WM	
Holding strength	Tested up to 290kg	
Voltage / Current	Dual Voltage 12/24VDC 12VDC/500mA 24VDC/250mA	
Monitoring	Lock Status Sensor. Contacts rated max 3W (max switching contact at 0.25A) at 30VDC.	
Dimensions in mm	Magnet: 220(L) x 42(W) x 31(D)	Armature: 185(L) x 38(W) x 12.5(D)
Construction	Stainless Steel Housing	

Accessories

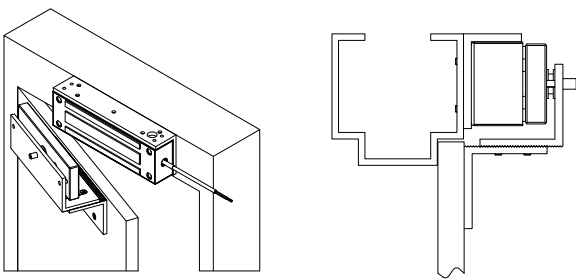
AMZB2700	L and Z bracket
UGB185	U bracket for glass door (10mm or 12mm)

Installation Examples

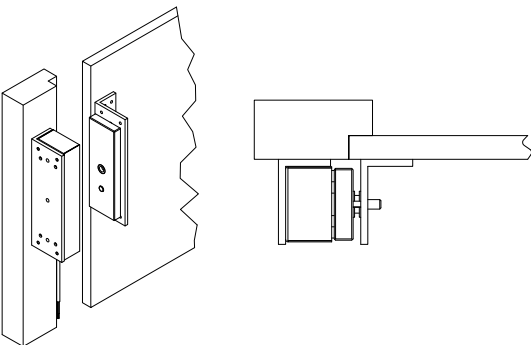
Out swinging door



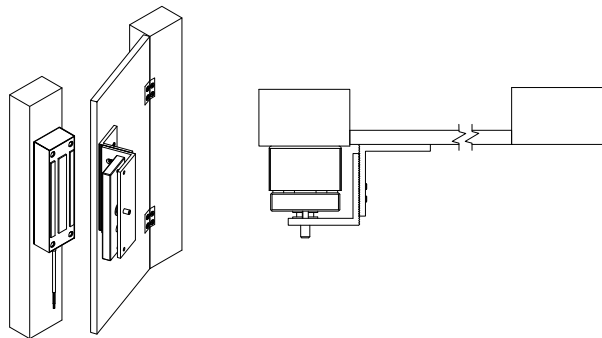
In swinging door



Sliding door



In swinging gate



Testing and Compliance



Contact Allegion for more details