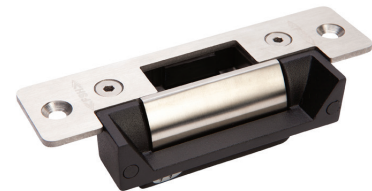




FES10 Series

Compact Electric Strike



The FES10 Series electric strikes are designed for light commercial and residential applications. With a small ANSI footprint, the strikes accept either 12 or 24VDC and have been tested up to a 2-hour fire rated in accordance with AS 1530.4:2005 (contact Allegion for more details).

The strikes are easily Power to Lock (PTL) / Power to Open (PTO) field interchangeable by simply changing over the barbell mechanism. The device is pre-drilled to cater for extension lips, comes with a 5 year warranty and has a holding strength of up to 1200kg.

The FES10M version has Door Status Sensor monitoring. The FES10 is weather resistant to IP56 standard

Features

- Stainless steel faceplate and keeper
- Barbell mechanism for simple change of locking function
- Low power consumption
- Compatible with door latch depth of up to 15mm
- Superior holding strength of up to 1000kg
- 5 year warranty
- 12 or 24 VDC operation
- Pre-drilled for extension lips
- CE/UL

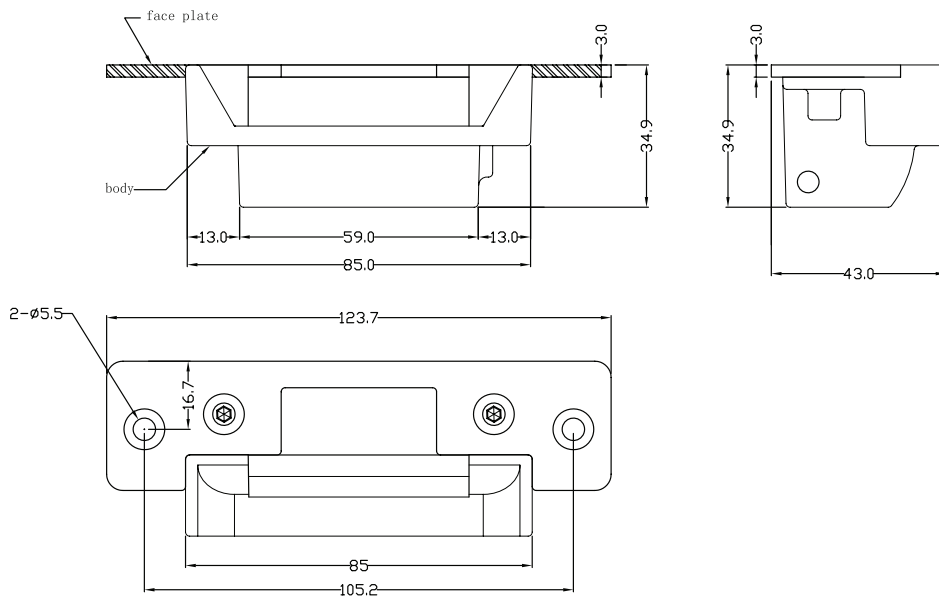


Warranties	
Mechanical	5 years
Electronic	5 years

Technical specifications

Part No.	FES10M	FES10
Function	Mortice mount, Power To Lock (PTL) / Power To Open (PTO) field interchangeable	
Holding strength	Up to 1000kg	
Volatage / Current	Dual Voltage 12VDC/24VDC. 200mA @24VDC. 100mA @24VDC	
Approvals	Up to 4-hour fire rated in accordance with AS 1905 (contact Allegion for more details) CE/UL	
Monitoring	Door latch monitoring	Non-monitored
Dimensions	125mm (L) x 42mm (W) x 35mm (D)	

Mounting details



Testing and Compliance



Fire:
Up to 4-hour fire rated in accordance with AS 1905 (contact Allegion for more details)